



# SPECIALS

Valid Until End Of July 2026



# Introducing Bridgement

We have partnered with Bridgement to bring you fast, flexible finance for your dental practice.

Get the equipment you need, without the **cashflow strain**.

Access up to **R10million** in business funding within 24 hours with a simple online application.

REPAY OVER **3-24 MONTHS**.



Apply now

or head to <https://istrodent.com/apply-for-finance/> to apply

Supporting your practice.  
Empowering patient care.

Equipment breaks unexpectedly?  
Replace it without delaying treatments.

Need to restock surgical supplies?  
Buy now and pay over time.

Want to expand or upgrade your practice?  
Accelerate growth without draining cash.

# CONSUMABLES

RELIABLE PRODUCTS. CONFIDENT RESULTS.



**R1 250.00**

## SOFTLINER TISSUE CONDITIONER

A resilient soft lining material for relief of sore and tender tissues. Easy to use with long-lasting comfort.



**R450.00**

## UNILIGHT ZERO WHITE BLEACHING MATERIAL

Professional in-office whitening gel for effective and safe results.



**R3 200.00**

## OXYSAFE INTRO KIT

Chlorine dioxide based disinfectant for impression disinfection and infection control.



**R620.00**

## VONFLEX PUTTY FAST SET

A-silicone impression material with fast setting time and high dimensional accuracy.



**R230.00**

## FISSURE SEALANT ECO-S WITH TIPS

Light-cured, fluoride releasing fissure sealant for cavity prevention.



**R990.00**

## ENDO N2 ROOT CANAL CEMENT

Non-staining, non-resorbable cement for root canal sealing.



**PREMIUM QUALITY**  
Trusted products for consistent results.



**CLINICALLY PROVEN**  
Formulated for safety and performance.



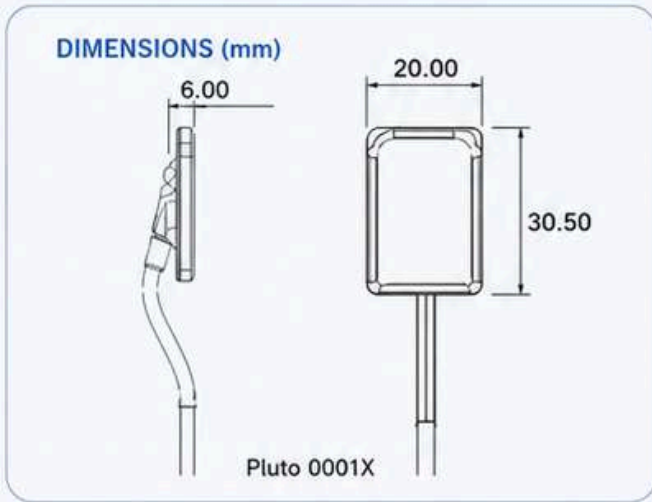
**EASY TO USE**  
Designed for efficiency and convenience.



**DEDICATED SUPPORT**  
We're here to support your practice.

# THE PLUTO 0001X SENSOR

X-RAY IMAGING  
MADE SEAMLESS



### High Image Quality

The 20  $\mu\text{m}$  pixel pitch CMOS sensor combined with a CsI scintillator delivers sharp, detailed images with excellent contrast, crucial for accurate diagnosis.



### Low Radiation Dose

Optimized detector technology allows high-resolution imaging at lower radiation doses, improving patient safety.



### Patient Comfort

Suitable for children and sensitive patients.



### Durability

Designed for repeated clinical use with robust construction and reliable performance.



### Ease of Use

Direct USB connection eliminates the need for a control box, simplifying setup and reducing hardware complexity.



### Optimized Workflow

Streamlined integration with most imaging software for a smooth and efficient workflow.

BASED ON ADVANCED APS CMOS TECHNOLOGY

**R 39 900.00**



# IMPRESSION MATERIAL

HIGH-PRECISION MATERIALS FOR RELIABLE CONSISTANT RESULTS



**ZHE-C301004**  
**ZETALGIN**  
**CHROMATIC**  
**453 GRAMS**

**R175.00**



**ZHE-C301001**  
**ZETALGIN**  
**453 GRAMS**

**R175.00**



#### BUILT-IN TIMING ASSISTANT

The chromatic phase indicator isn't just a color change — it's a built-in timing assistant.



#### REDUCE STRESS, INCREASE CONFIDENCE

Dentists can work confidently without a stopwatch, reducing stress and ensuring consistently accurate impressions.



#### BETTER OUTCOMES FOR ALL

Translates into fewer remakes and reduced chair time, saving both clinician and patient valuable time.



#### EXCEPTIONAL ELASTICITY

Ensures impressions can be removed without tearing or distortion.



#### DIMENSIONAL STABILITY

Maintains accuracy long enough for pouring models.



#### TRUSTED QUALITY

ISO 21563:2013 certified: guarantees consistent quality and compliance with international standards.



**ZHE-C302145**  
**ORTHOPRINT ALGINATE**  
**500 GRAMS**

**R299.00 EACH**



#### HIGH ACCURACY

Maintains impression accuracy for up to 5 days when stored properly in sealed bags.



#### FLEXIBLE SCHEDULING

Allows flexible scheduling between impression taking and model pouring.



#### REDUCE STRESS IN BUSY PRACTICES

Ideal for clinics and labs that need reliable transport and storage of impressions.



**ZHE-C302070**  
**HYDROGUM 5 EXTRA**  
**FAST ALGINATE**  
**453 GRAMS**

**R299.00 EACH**



#### HIGH ACCURACY

Maintains impression accuracy for up to 5 days when stored properly in sealed bags.



#### FLEXIBLE SCHEDULING

Allows flexible scheduling between impression taking and model pouring.



#### RELIABLE RESULTS

Ideal for clinics and labs that need reliable transport and storage of impressions.

**ENGINEERED FOR EXCELLENCE.  
BUILT TO PERFORM.**

Die-cast aluminium chamber with patented aluminium alloy construction. Advanced diecasting delivers unmatched structural integrity, thermal conductivity, and long-term reliability.

**PERFORMANCE YOU CAN TRUST.  
QUALITY THAT LASTS.**



# enbio<sup>®</sup> PRO 4.0

NEXT GENERATION STERILISATION



**LOWER POWER CONSUMPTION**

Efficient technology for reduced energy usage.



**STRUCTURAL OPTIMIZATION**

Reinforced design for superior durability and safety.



**NEW CHAMBER HEATING & INSULATION**

Enhanced heating system for faster cycles and improved efficiency.



**WORLD'S FASTEST  
CLASS B STERILISER**



CHAMBER



HEATING SYSTEM



**SWISS  
DESIGNED**



**red dot award**  
product design

**R59 900.00**

# DISINFECTANTS

Trusted solutions for a cleaner, safer environment.



## HARD SURFACE DISINFECTANT

Effective disinfectant for hard, non-porous surfaces. Kills a broad spectrum of bacteria and viruses. Ideal for daily use in clinical and laboratory environments.



5L  
PPE-HYD001

**R305.00**



## ZETA 5 POWER ACT

- Disinfecting detergent for aspirators
- Anti-scale agent (preventing the formation of scale in wet-ring pumps and centrifugal separators)
- Range of action:
  - bactericide
  - fungicide
  - virucide action against encapsulated viruses



1L MAKES 100L  
ZHE-C810040

**R800.00**



## ZETA 3 SOFT SPRAY

- Alcohol solution based
- Rapid disinfection
- Surface cleaning and small medical devices
- Efficacy: high protection for professionals and patients
- Safety: free from aldehydes and phenols



750ML  
ZHE-C810023

**R350.00**



**EFFECTIVE**  
Broad-spectrum protection.



**SAFE**  
Formulated for clinical use.



**RELIABLE**  
Consistent results you can trust.



**CLEANER FUTURE**  
Solutions for a safer environment.

**R119 000.00**

**W&H IMPLANTMED**  
**SI-1023**

WHD-90000165

**& S-11L**

SURGICAL HANDPIECE

WHD-30058000



**PRECISE**

Accurate and reliable performance for optimal results.



**RELIABLE**

Engineered for consistency, durability and safety.



**ADVANCED**

Intuitive technology designed for efficiency and ease of use.



QUALITY YOU CAN TRUST.  
PERFORMANCE YOU CAN FEEL.

 [wh.com](http://wh.com)



# HANDPIECES

PRECISION. PERFORMANCE. TRUSTED.

## TE-98LQ & RQ-54 COUPLING TURBINE HANDPIECE (LED)

 HEAD SIZE - 12.2MM



PRICE  
**R13 500.00**

## TE-97LQ & RQ-54 COUPLING TURBINE HANDPIECE (LED)

 HEAD SIZE - 10.4MM



PRICE  
**R13 500.00**



## HE-43T STRAIGHT HANDPIECE ALEGRA RANGE




PRICE  
**R2 780.00**

## WE-56T CONTRA ANGLE HANDPIECE ALEGRA RANGE



PRICE  
**R3 500.00**

 **AUSTRIA ENGINEERED**  
Precision & Quality

 **LED ILLUMINATION**  
Better visibility for enhanced performance

 **ERGONOMIC DESIGN**  
Comfort and control you can feel

 **EASY MAINTENANCE**  
Built for reliability and long life

# UNMATCHED QUALITY, ULTIMATE COMFORT

EXPERIENCE UNPARALLELED COMFORT AND  
CUTTING-EDGE TECHNOLOGY

## A3 PLUS.



### PREMIUM QUALITY

Built with high-grade materials for long-lasting durability.



### ULTIMATE COMFORT

Ergonomic design ensures maximum comfort for both patient and practitioner.



### ADVANCED TECHNOLOGY

Equipped with cutting-edge features for efficient and precise performance.



### RELIABLE PERFORMANCE

Engineered to deliver consistent, smooth and dependable results.

**PLACE YOUR ORDER TODAY AND FLY TO ITALY!**

CONTACT US NOW TO TAKE ADVANTAGE OF THIS EXCLUSIVE PROMOTION.

(6 INDIVIDUAL TICKETS AVAILABLE)



ZHE-C401520

### GINGIFAST RIGID 2X50ML CART + TIPS

**R1 290.00**



NATURAL TRANSLUCENCE AND FIBRILS



CREATE A REALISTIC GUM-LIKE APPEARANCE.



PROVIDES EXCELLENT AESTHETIC RESULTS FOR PROSTHETIC AND IMPLANT MODELS.



ZHE-C810000

### ZETA 7 SPRAY 750 ML

**R450.00**



IMPRESSION DISINFECTION IN 3 MINUTES.



EFFECTIVE AGAINST BACTERIA, FUNGI, VIRUSES, AND EVEN TUBERCULOSIS.



PROVIDES COMPREHENSIVE PROTECTION FOR DENTAL PROFESSIONALS AND PATIENTS.



TESTED AND VALIDATED ACCORDING TO EUROPEAN NORMS FOR DISINFECTION STANDARDS.



ZHE-C401500

### GINGIFAST ELASTIC 2X50ML CART + TIPS

**R1 290.00**



SPECIFICALLY FORMULATED FOR IMPLANT SYSTEMS.



SEAMLESSLY INTEGRATES INTO MODERN DENTAL LABS USING DIGITAL PROSTHETIC DESIGN.



ZHE-C400832

### ELITE DOUBLE SILICONE 2X1KG

**R2 150.00**



DUPLICATING SILICONE FOR LABS



22 SHORE STRENGTH

# REGULATIONS ARE NOW HERE! IS YOUR PRACTICE COVERED?

South African regulations are official as of **31 March 2025** and compliance reporting is due. The **DFFE's regulations for the management of mercury in South Africa** have been finalized and the time to comply is now!

ISTRODENT and DRI-SA is offering a complete solution to meet this regulation with incredible savings. You can lock in your annual recycling pricing with **3 OR 5-YEAR TERM** – your annual recycling payment is not due for **12 months!**



[www.dri-sa.co.za/istrodent](http://www.dri-sa.co.za/istrodent)

**RECEIVE A FREE  
AMALGAM SEPARATOR**



**LOCK IN PRICING.**

Secure your annual recycling pricing for 3 or 5 years.



**START COMPLYING.**

Meet the latest regulations and avoid non-compliance penalties.



**ENJOY PEACE OF MIND.**

We handle the recycling, so you can focus on what matters most.



This offer of DRISA amalgam separators and chairside kits are available with a signed service agreement for 3 or 5 years to lock in annual recycling pricing.

A STANDARD FLAT RATE FOR INSTALLATION OF R6,375.00 WILL APPLY TO CLIENTS WITHIN THE DESIGNATED SERVICE RADIUS.

CLIENTS LOCATED OUTSIDE THIS RADIUS WILL INCUR ADDITIONAL TRAVEL CHARGES, OVER AND ABOVE THE STANDARD INSTALLATION FEE.





# STERILIZATION

CLEAN. SAFE. TRUSTED.

## W&H U-SON ULTRASONIC BATH 3L

**R22 900.00**



### TECHNICAL DATA (3 LITRES)

|                                 |  |
|---------------------------------|--|
| Trade name:                     | U-Son  |
| Type:                           | RIW-203  |
| Tank capacity:                  | 3 litres   |
| Recommended operating capacity: | 2.1 l  |
| Supply voltage:                 | 230 V, 50/60 Hz  |
| Input power:                    | 120 W  |
| Input power with heating:       | 100 W  |
| Weight (kg):                    | 2.8 kg   |
| Overall dimensions (w x h x d): | 295 x 220 x 165 mm   |
| Tank dimensions (w x h x d):    | 240 x 100 x 115 mm   |
| Number of transducers:          | 2  |
| Ambient conditions:             | Temperature from 5 to 40°C, rel. humidity 80% up to 31°C with linear decrease up to 50% at 40°C      |
| Installation category:          | Class I according to IEC 61010-1   |
| Classification:                 | 2017/745 Medical Devices Regulation<br>Class I, Non Active, MD, Non Invasive, MD, Non Implantable MD |



## W&H U-SON ULTRASONIC BATH 6L

**R33 900.00**



### TECHNICAL DATA (6 LITRES)

|                                 |  |
|---------------------------------|--|
| Trade name:                     | U-Son  |
| Type:                           | RIW-206  |
| Tank capacity:                  | 6 litres   |
| Recommended operating capacity: | 4.4 l  |
| Supply voltage:                 | 230 V, 50/60 Hz  |
| Input power:                    | 180 W  |
| Input power with heating:       | 200 W  |
| Weight (kg):                    | 4.7 kg   |
| Overall dimensions (w x h x d): | 325 x 280 x 180 mm   |
| Tank dimensions (w x h x d):    | 300 x 150 x 150 mm   |
| Number of transducers:          | 3  |
| Ambient conditions:             | Temperature from 5 to 40°C, rel. humidity 80% up to 31°C with linear decrease up to 50% at 40°C      |
| Installation category:          | Class I according to IEC 61010-1   |
| Classification:                 | 2017/745 Medical Devices Regulation<br>Class I, Non Active, MD, Non Invasive, MD, Non Implantable MD |

-  **POWERFUL ULTRASONIC CLEANING**
-  **STAINLESS STEEL DURABLE & CORROSION RESISTANT**
-  **PRECISE HEATING FOR OPTIMAL STERILIZATION**
-  **EASY DRAINAGE FOR CONVENIENT MAINTENANCE**



# DIAMOND BURS

ENGINEERED FOR PERFECTION. PRICED FOR PERFORMANCE.



5pk



**K-877.314.012**

PREPARATION INSTRUMENT

**R 195.00**



5pk



**K-858EF.314.014**

PREPARATION INSTRUMENT

**R 498.50**



5pk



**S6878K.314.018**

PREPARATION INSTRUMENT

**R 250.00**



5pk



**801.314.009**

PREPARATION INSTRUMENT

**R 274.40**



5pk



**8860.204.012**

PREPARATION INSTRUMENT

**R 230.00**



5pk



**8889.314.010**

PREPARATION INSTRUMENT

**R 255.00**



5pk



**5862.314.012 OR 014**

PREPARATION INSTRUMENT

**R 320.00**



EA



**H162.205.016**

SURGICAL TUNGSTEN CARBIDE

**R 416.00**



5pk



**5835.314.012**

PREPARATION INSTRUMENT

**R 130.00**

# ELEVATE YOUR CUSTOMER EXPERIENCE

Our Technical support call centre commits to delivering expert repairs, preventative maintenance and reliable technical support for dental equipment, keeping your dental practice running efficiently.

## Our Services Include:

- Equipment Installation
- Preventative maintenance
- Expert repairs

**LOG CALLS  
DIRECTLY!**

## Contact Us



**JHB OFFICE - DEVAN & RIAAN**  
**011 608 1111**



**CPT OFFICE - PAUL & DAVID**  
**021 552 9264**



**Visit Our Website**  
**[www.istrodent.com](http://www.istrodent.com)**



## Terms & Conditions

- Prices are inclusive of VAT.
- As the South African Rand is subject to volatility, the specials provided are accurate at the time of publication.
- Istrodent retains the right to modify prices on all quotes in accordance with currency fluctuations.
- Prices can be guaranteed only upon receipt of full and final payment. We make every effort to inform clients about potential price adjustments, however please be aware that in some cases, changes may occur without prior notice due to factors beyond Istrodent's control.
- Installation is free of charge. Travel costs and accommodation, where necessary, will be charged for installations outside of Gauteng.
- Prices do not include relevant plumbing and electrical work which may be required.
- Delivery is 6-8 weeks from signed confirmed order dependant on stock availability.
- Pictures are for illustrative purposes only.
- E&OE



### We Value Your Feedback!

Help us improve by sharing your experience. Simply scan the QR code below to complete a quick customer satisfaction survey. Your input means the world to us.



### We're Here to Help!

Any issue to report? Scan the QR code below to submit a complaint. Your concerns are important to us, and we'll work to resolve them promptly. Thank you for helping us improve!