



ISTRODENT 
COMMITTED TO EXCELLENCE

SPECIALS

Valid Until End Of May 2026



Introducing Bridgement

We have partnered with
Bridgement to bring you fast,
flexible finance for your dental
practice.

Get the
equipment you
need, without
the **cashflow**
strain.

Access up to **R10million** in business
funding within 24 hours with a simple
online application.

REPAY OVER 3-24 MONTHS.



Apply now

or head to <https://istrodent.com/apply-for-finance/> to apply

Supporting your practice.
Empowering patient care.

Equipment breaks
unexpectedly?
Replace it without
delaying treatments.

Need to restock
surgical supplies?
Buy now and pay over
time.

Want to expand or
upgrade your
practice?
Accelerate growth
without draining
cash.

CONSUMABLES



ZHE-C202070
MIXING TIPS
48PCS YELLOW

R950.00



VER-VF310-SBNB
VONFLEX S BITE
2X 50ML CART
+ TIPS

R550.00



HAG-155040
OXYSAFE KIT
1 KIT

R3 250.00



VER-ET130-B000
ETCHANT
1X 30ML SYRINGE

R590.00



ZHE-C203040
ELITE HD+
2X 50ML CART
+ TIPS

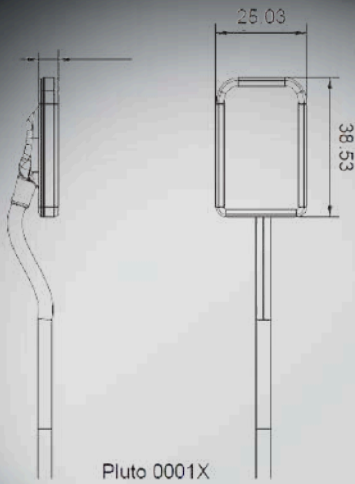
R990.00



HAG-605454
SPANDEX LIP
RETRACTOR
2 PCS

R280.00

THE Pluto 0001X sensor



X-ray imaging made seamless

High Image Quality

The 20 μm pixel pitch CMOS sensor combined with a CsI scintillator delivers sharp, detailed images with excellent contrast, crucial for accurate diagnosis.

Patient Comfort

Suitable for children and sensitive patients.

Ease of Use

Direct USB connection eliminates the need for a control box, simplifying setup and reducing hardware complexity.

Low Radiation Dose

Optimized detector technology allows high-resolution imaging at lower radiation doses, improving patient safety.

Durability

Designed for repeated clinical use with robust construction and reliable performance.

Based on advanced APS CMOS technology

R 39 900.00



IMPRESSION MATERIALS



**ZHE -C301004
ZETALGIN
CHROMATIC
453 GRAMS**

R175.00



**ZHE -C301001
ZETALGIN
453 GRAMS**

R175.00

- THE CHROMATIC PHASE INDICATOR ISN'T JUST A COLOR CHANGE — IT'S A BUILT-IN TIMING ASSISTANT.
- DENTISTS CAN WORK CONFIDENTLY WITHOUT A STOPWATCH, REDUCING STRESS AND ENSURING CONSISTENTLY ACCURATE IMPRESSIONS.
- THIS FEATURE DIRECTLY TRANSLATES INTO FEWER REMAKES AND REDUCED CHAIR TIME, SAVING BOTH CLINICIAN AND PATIENT VALUABLE TIME.

- ELASTICITY: ENSURES IMPRESSIONS CAN BE REMOVED WITHOUT TEARING OR DISTORTION.
- DIMENSIONAL STABILITY: MAINTAINS ACCURACY LONG ENOUGH FOR POURING MODELS.
- ISO 21563:2013 CERTIFIED: GUARANTEES CONSISTENT QUALITY AND COMPLIANCE WITH INTERNATIONAL STANDARDS.



**BUY 10
GET 2
FREE!**

**ZHE -C302145
ORTHOPRINT
ALGINATE
500 GRAMS**

**R299.00
EACH**

- MAINTAINS IMPRESSION ACCURACY FOR UP TO 5 DAYS WHEN STORED PROPERLY IN SEALED BAGS.
- ALLOWS FLEXIBLE SCHEDULING BETWEEN IMPRESSION TAKING AND MODEL POURING, REDUCING STRESS IN BUSY PRACTICES.
- IDEAL FOR CLINICS AND LABS THAT NEED RELIABLE TRANSPORT AND STORAGE OF IMPRESSIONS.



**BUY 10
GET 2
FREE!**

**ZHE -C302070
HYDROGUM 5 EXTRA
FAST ALGINATE
453 GRAMS**

**R299.00
EACH**

- MAINTAINS IMPRESSION ACCURACY FOR UP TO 5 DAYS WHEN STORED PROPERLY IN SEALED BAGS.
- ALLOWS FLEXIBLE SCHEDULING BETWEEN IMPRESSION TAKING AND MODEL POURING, REDUCING STRESS IN BUSY PRACTICES.
- IDEAL FOR CLINICS AND LABS THAT NEED RELIABLE TRANSPORT AND STORAGE OF IMPRESSIONS.

DIE-CAST ALUMINUM CHAMBER
PATENTED ALUMINUM ALLOY CHAMBER
MANUFACTURED THROUGH AN ADVANCED
DIECASTING PROCESS THAT YIELDS
EXCEPTIONAL STRUCTURAL INTEGRITY
AND THERMAL CONDUCTIVITY
ENSURING UNCOMPROMISED PERFORMANCE
THROUGHOUT THE DEVICE'S OPERATIONAL
LIFESPAN.

ENBIO[®] PRO 4.0

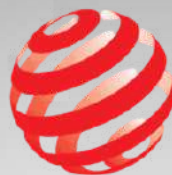


- LOWER POWER CONSUMPTION
- STRUCTURAL OPTIMIZATION
- NEW CHAMBER HEATING & INSULATION

WORLDS FASTEST CLASS B STERILISER



**SWISS
Designed**



reddot award
product design

R69 900.00

DISINFECTANTS



ZETA 3 FOAM

- Broad spectrum of action according to the European Norms
- Aldehyde and phenol-free products
- Tested compatibility with surfaces, including the most delicate ones
- Efficacy: high protection for professionals and patients
- Safety: free from aldehydes and phenols
- Speed and convenience: disinfection and cleaning in a single step

750ML
ZHE-C810025

R279.00



ZETA 5 POWER ACT

- Disinfecting detergent for aspirators. Anti-scale agent (preventing the formation of scale in wet-ring pumps and centrifugal separators)
- Range of action:
 - bactericide
 - fungicide
 - virucide action against encapsulated viruses

1L MAKES 100L
ZHE-C810040

R699.00



ZETA 3 SOFT SPRAY

- Alcohol solution based
- Rapid disinfection
- Surface cleaning and small medical devices
- Efficacy: high protection for professionals and patients
- Safety: free from aldehydes and phenols

750ML
ZHE-C810023

R399.00



Oral Care Systems

miradent



VISIT US @

www.miradentshop.co.za

HANDPIECES

TURBINES



TE-98LQ & RQ-54 COUPLING
TURBINE HANDPIECE (LED)

HEAD SIZE - 12.2MM

R10 500.00



TE-97LQ & RQ-54 COUPLING
TURBINE HANDPIECE (LED)

HEAD SIZE - 10.4MM

R10 500.00



RC-98RM
TURBINE HANDPIECE (NO LED)

TRIPLE SPRAY

R2 900.00



CATTANI PAL 14 CENTRALIZED WET SUCTION PUMP

- 0.8KW
- INCL CONTROL BOX
- SERVES 2 SURGERIES
- 1X PULI JET SUCTION CLEANER INCLUDED

R33 400.00



OSAKA 2EW COMPRESSOR

- INCL REGULATOR
- 32L TANK
- SILENT
- OIL-LESS
- 840W
- SERVES 2 SURGERIES

R9 900.00

CATTANI ASPI JET 6 MOBILE SUCTION

- PLUG & PLAY
- MOBILE BENEFIT
- 1X PULI JET SUCTION CLEANER INCLUDED
- NO PLUMBING REQUIRED

R34 900.00



CATTANI AC100 COMPRESSOR

- 1HP
- INCL REGULATOR
- 30L TANK
- SEMI-SILENT
- OIL-LESS
- 550W - 67.5L/MIN
- SERVES 1-2 SURGERY

R23 900.00



LABORATORY



**ZHE-C401520
GINGIFAST RIGID
2X 50ML CART
+ TIPS**

R1 290.00

- NATURAL TRANSLUCENCE AND FIBRILS CREATE A REALISTIC GUM-LIKE APPEARANCE.
- PROVIDES EXCELLENT AESTHETIC RESULTS FOR PROSTHETIC AND IMPLANT MODELS.



**ZHE-C810000
ZETA 7 SPRAY
750 ML**

R450.00

- IMPRESSION DISINFECTION IN 3 MINUTES.
- EFFECTIVE AGAINST BACTERIA, FUNGI, VIRUSES, AND EVEN TUBERCULOSIS.
- PROVIDES COMPREHENSIVE PROTECTION FOR DENTAL PROFESSIONALS AND PATIENTS.
- TESTED AND VALIDATED ACCORDING TO EUROPEAN NORMS FOR DISINFECTION STANDARDS.



**ZHE-C203232
GINGIFAST
CAD/ELASTIC
2X 50ML CART
+ TIPS**

R1 350.00

- SPECIFICALLY FORMULATED FOR CAD/CAM SYSTEMS.
- SCANNABLE WITHOUT REFLECTIVE SPRAYS, SAVING TIME AND ENSURING ACCURACY IN DIGITAL IMPRESSIONS.
- SEAMLESSLY INTEGRATES INTO MODERN DENTAL LABS USING DIGITAL PROSTHETIC DESIGN.



**ZHE-C400832
ELITE DOUBLE
SILICONE
2X 1KG**

R2 150.00

- HIGH AND CONSTANT FLUIDITY THROUGHOUT WORKING TIME → ENSURES BUBBLE-FREE, HOMOGENEOUS RESULTS.
- OUTSTANDING DETAIL REPRODUCTION → CRITICAL FOR ACCURATE PROSTHESIS FABRICATION.
- DIMENSIONAL STABILITY → IMPRESSIONS REMAIN ACCURATE OVER TIME, ALLOWING MULTIPLE DUPLICATIONS WITHOUT DEFORMATION.



REGULATIONS ARE NOW HERE! **IS YOUR PRACTICE COVERED?** **ACT NOW LOCK IN SAVINGS!**

SOUTH AFRICAN REGULATIONS ARE OFFICIAL AS OF 31 MARCH 2025 AND COMPLIANCE REPORTING IS DUE - THE **DFFE'S REGULATIONS FOR THE MANAGEMENT OF MERCURY IN SOUTH AFRICA** HAVE BEEN FINALIZED AND THE TIME TO COMPLY IS NOW!

ISTRODENT AND DRI-SA IS OFFERING A COMPLETE SOLUTION TO MEET THIS REGULATION WITH INCREDIBLE SAVINGS. YOU CAN LOCK IN YOUR ANNUAL RECYCLING PRICING WITH **3 OR 5-YEAR TERM** -YOUR ANNUAL RECYCLING PAYMENT IS NOT DUE FOR 12 MONTHS!



www.dri-sa.co.za/istrodent
RECEIVE A FREE
AMALGAM SEPARATOR



LOCK IN PRICING. START COMPLYING. **ENJOY PEACE OF MIND.**

THIS OFFER OF DRISA AMALGAM SEPARATORS AND CHAIRSIDE KITS ARE AVAILABLE WITH A SIGNED SERVICE AGREEMENT OF 3 OR 5 YEARS TO LOCK IN ANNUAL RECYCLING PRICING. THIS DOES NOT INCLUDE INSTALLATION & LABOUR CHARGES OF THE UNIT.

BURS



6 PCS

R189.65

ROUND END TAPER

Instrument code

- STR-F1RM



3 PCS

R325.35

ROUND END CROSS CUT FISSURE

Instrument code

- STR-FGB1557



5 PCS

R1 200.00

HAND PIECE ROUND

Instrument code

- STR-H14B/M



6 PCS

R189.65

EGG/FOOTBALL BURR

Instrument code

- STR-K1RC



6 PCS

R243.00

EGG/FOOTBALL BURR

Instrument code

- STR-K2SF



5 PCS

R 312.25

SURGICAL, PEAR BURR

Instrument code

- STR-RA330



5 PCS

R312.25

SURGICAL, ROUND BUR

Instrument code

- STR-RA8



6 PCS

R189.65

FLAME, BUR

Instrument code

- STR-Z50/M

STRAUSS & CO.
Turning Precision Into Value

STERILIZATION

FOSTER N+ 22L (N-CLASS) AUTOCLAVE

- 22L CHAMBER: LARGE ENOUGH FOR MULTIPLE INSTRUMENT SETS, IDEAL FOR BUSY PRACTICES.
- BENCHTOP CONFIGURATION: COMPACT FOOTPRINT, FITS EASILY IN CLINICS WITH LIMITED SPACE.
- SUS304 STAINLESS STEEL CHAMBER: ONE-TIME FORMING WITHOUT WELDING, ENSURING DURABILITY RESISTANCE TO CORROSION.

R45 000.00



FOSTER PLUS 22L (B-CLASS) AUTOCLAVE

- B-CLASS TECHNOLOGY: USES PRE-VACUUM AND POST-VACUUM CYCLES, ENSURING COMPLETE PENETRATION OF STEAM INTO HOLLOW AND POROUS INSTRUMENTS.
- STERILIZES ALL LOAD TYPES: SOLID & HOLLOW (E.G., HANDPIECES, CANNULAS)
- MEETS EUROPEAN EN13060 STANDARDS

R65 000.00



Technical Support Call Centre

- ✓ Qualified Dental Technicians
- ✓ Professional Technical Assistance
- ✓ Quick Response Time

**LOG CALLS
DIRECTLY!**

**JHB
DESI OR DEVAN
011-608-1111**

**CPT
PAUL OR DAVID
021-552-9264**





Terms & Conditions

- Prices are inclusive of VAT.
- As the South African Rand is subject to volatility, the specials provided are accurate at the time of publication.
- Istrodent retains the right to modify prices on all quotes in accordance with currency fluctuations.
- Prices can be guaranteed only upon receipt of full and final payment. We make every effort to inform clients about potential price adjustments, however please be aware that in some cases, changes may occur without prior notice due to factors beyond Istrodent's control.
- Installation is free of charge. Travel costs and accommodation, where necessary, will be charged for installations outside of Gauteng.
- Prices do not include relevant plumbing and electrical work which may be required.
- Delivery is 6-8 weeks from signed confirmed order dependant on stock availability.
- Pictures are for illustrative purposes only.
- E&OE



We Value Your Feedback!

Help us improve by sharing your experience. Simply scan the QR code below to complete a quick customer satisfaction survey. Your input means the world to us.



We're Here to Help!

Any issue to report? Scan the QR code below to submit a complaint. Your concerns are important to us, and we'll work to resolve them promptly. Thank you for helping us improve!